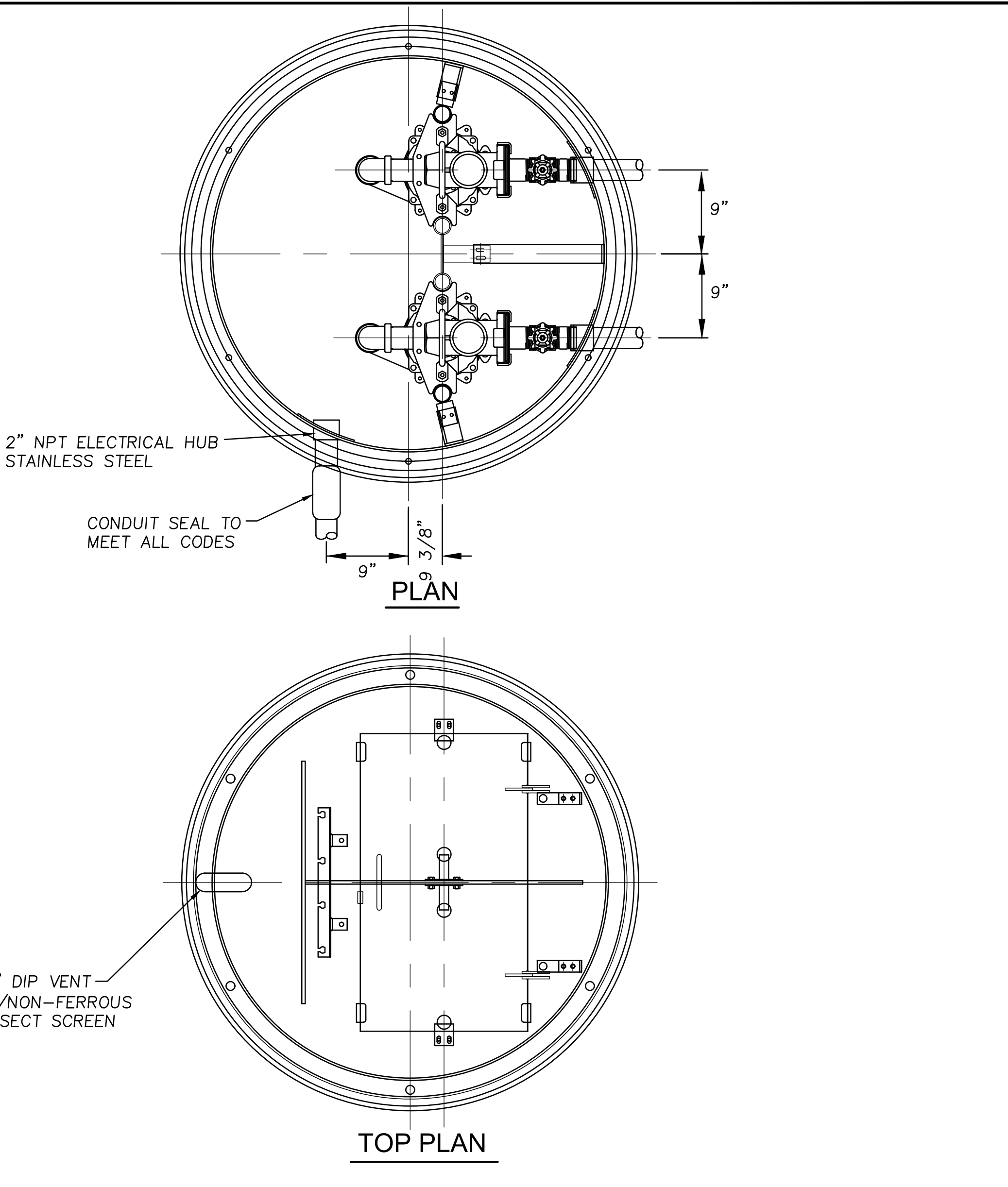
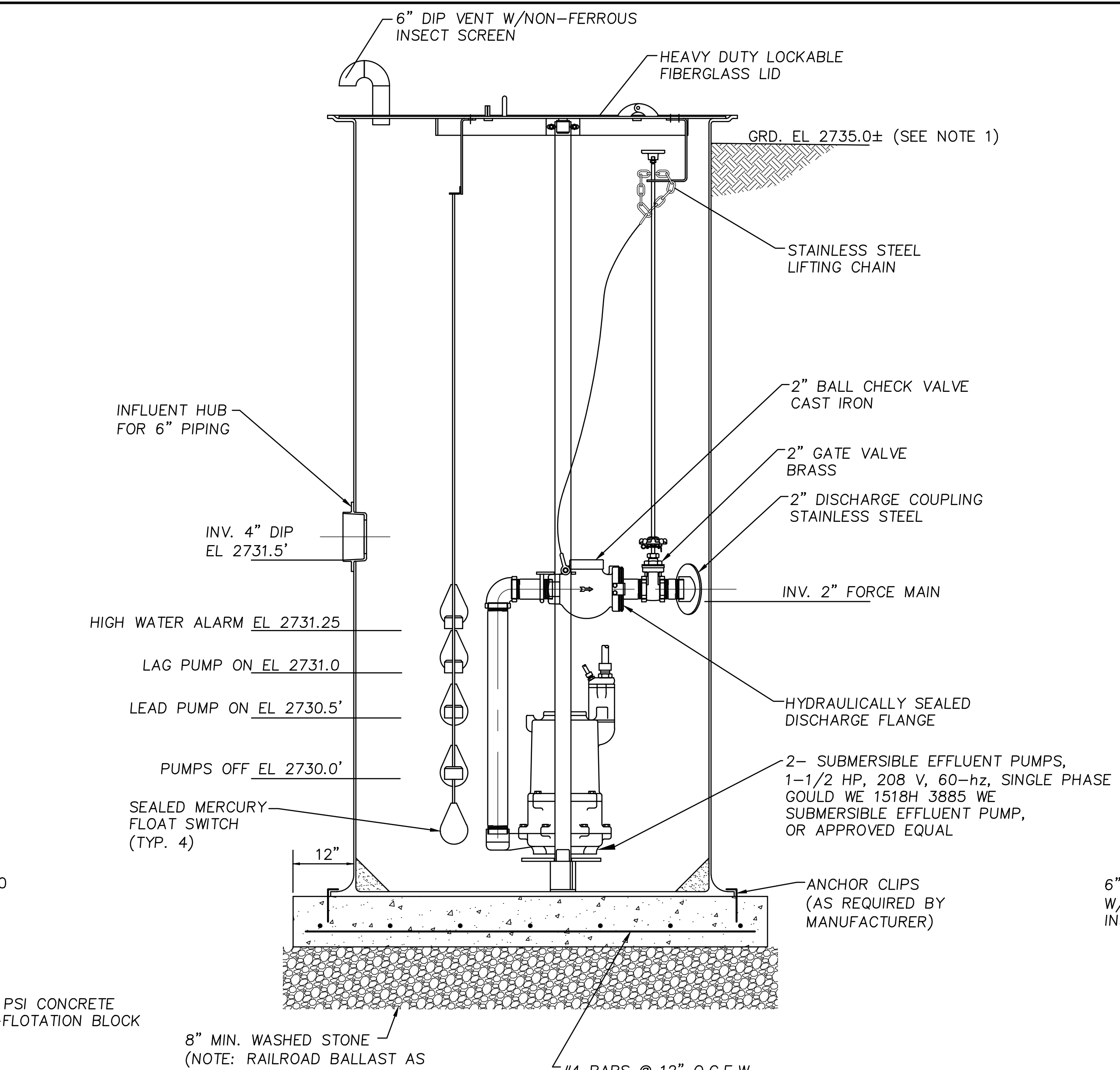
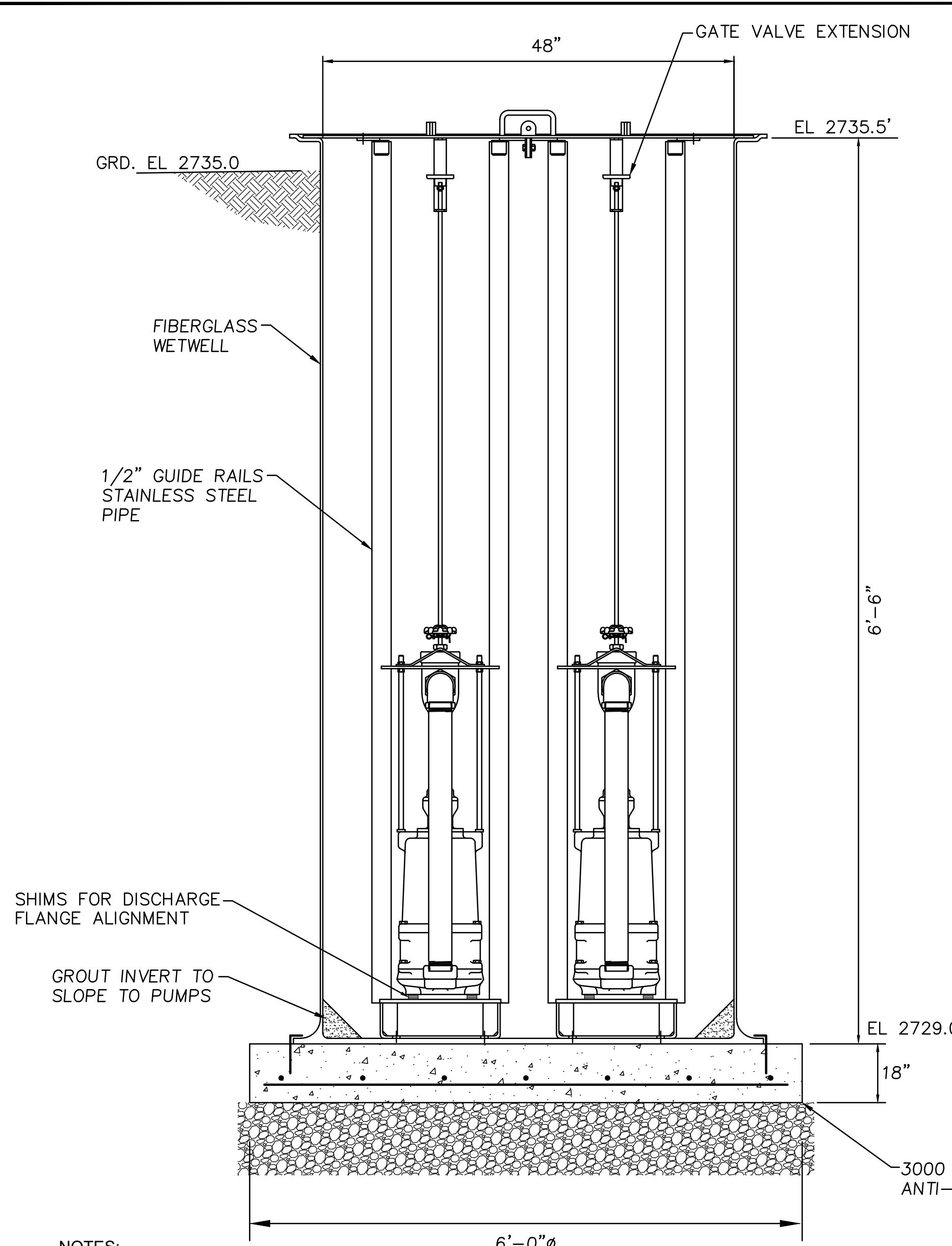


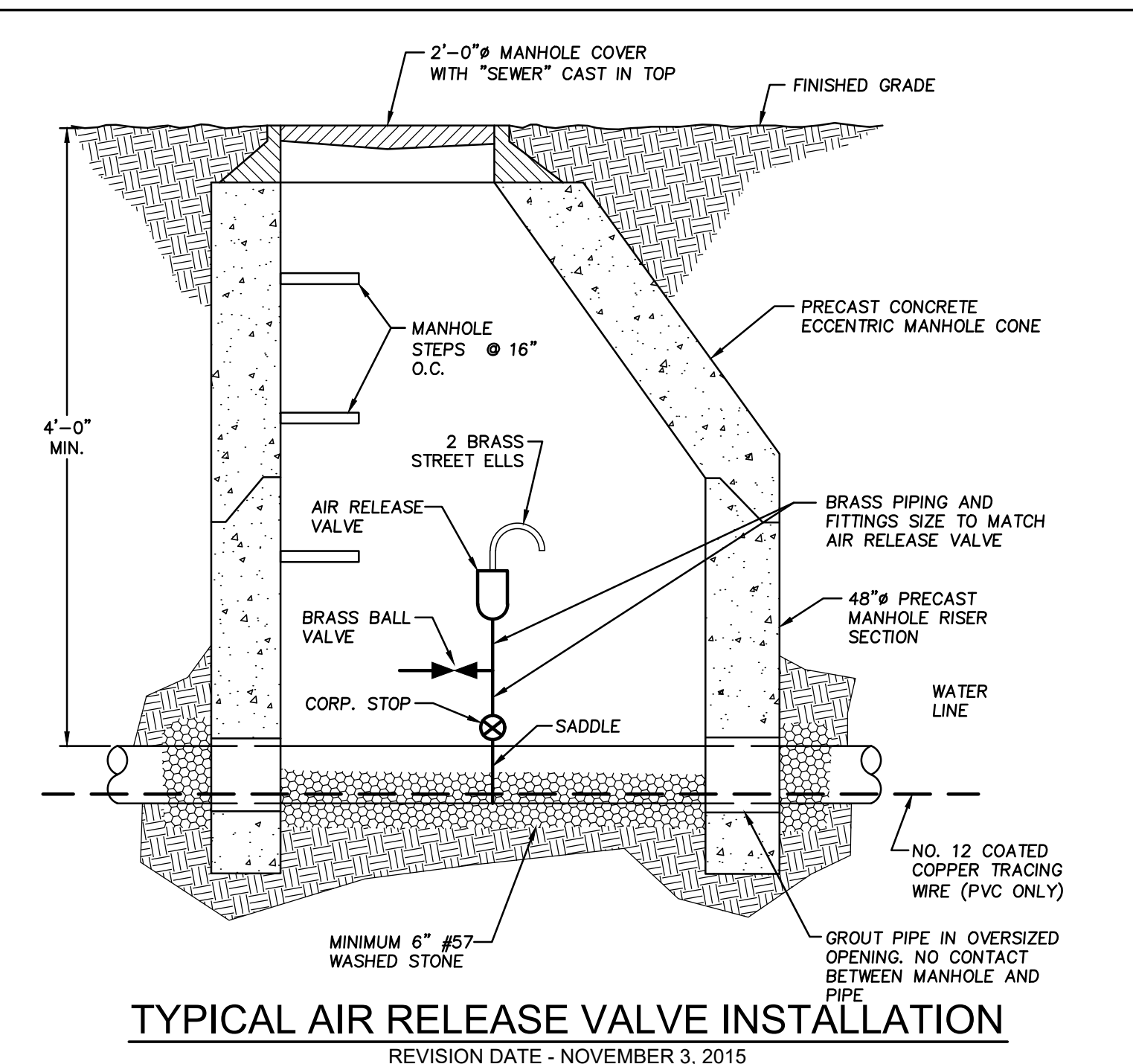
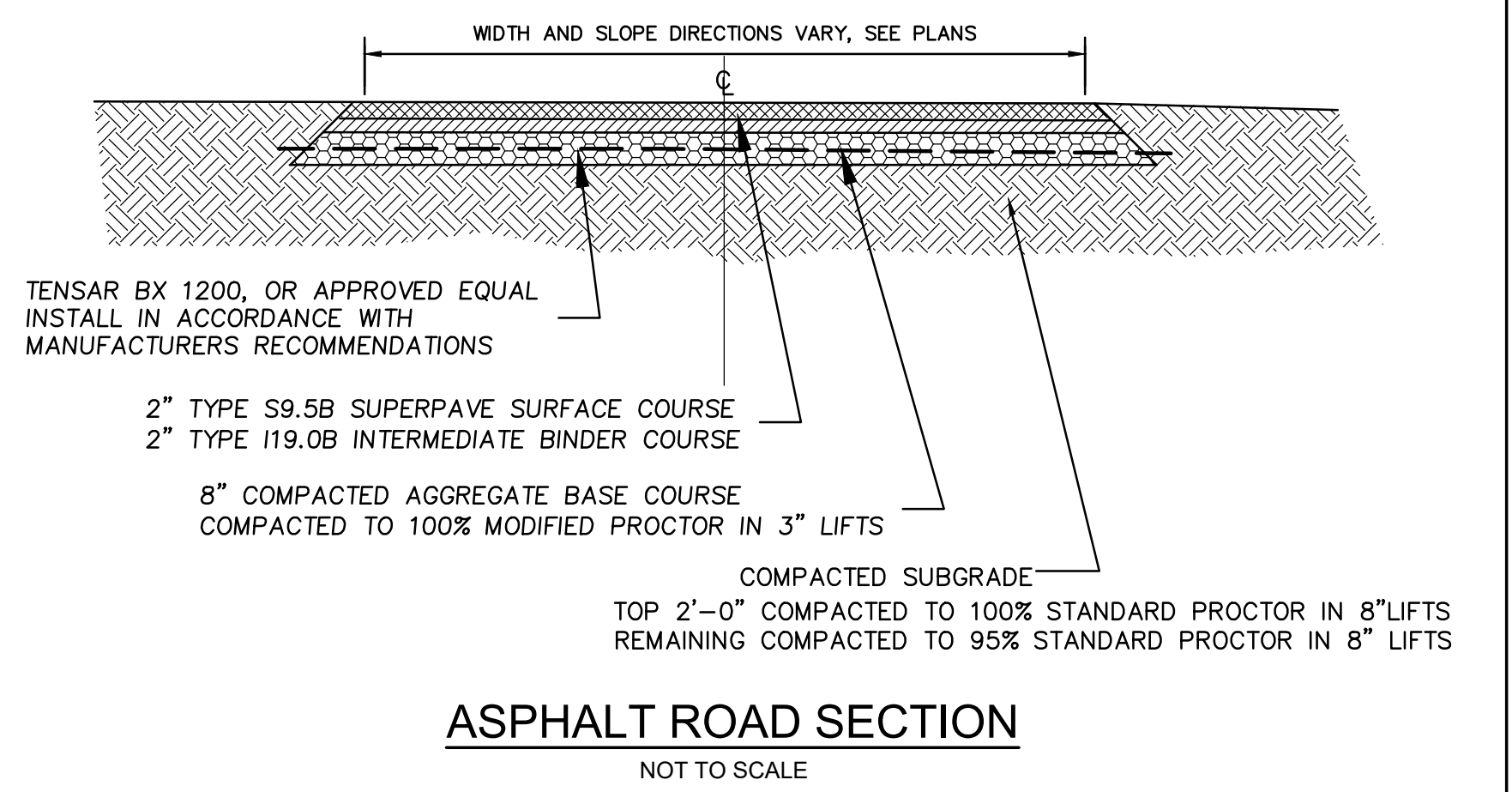
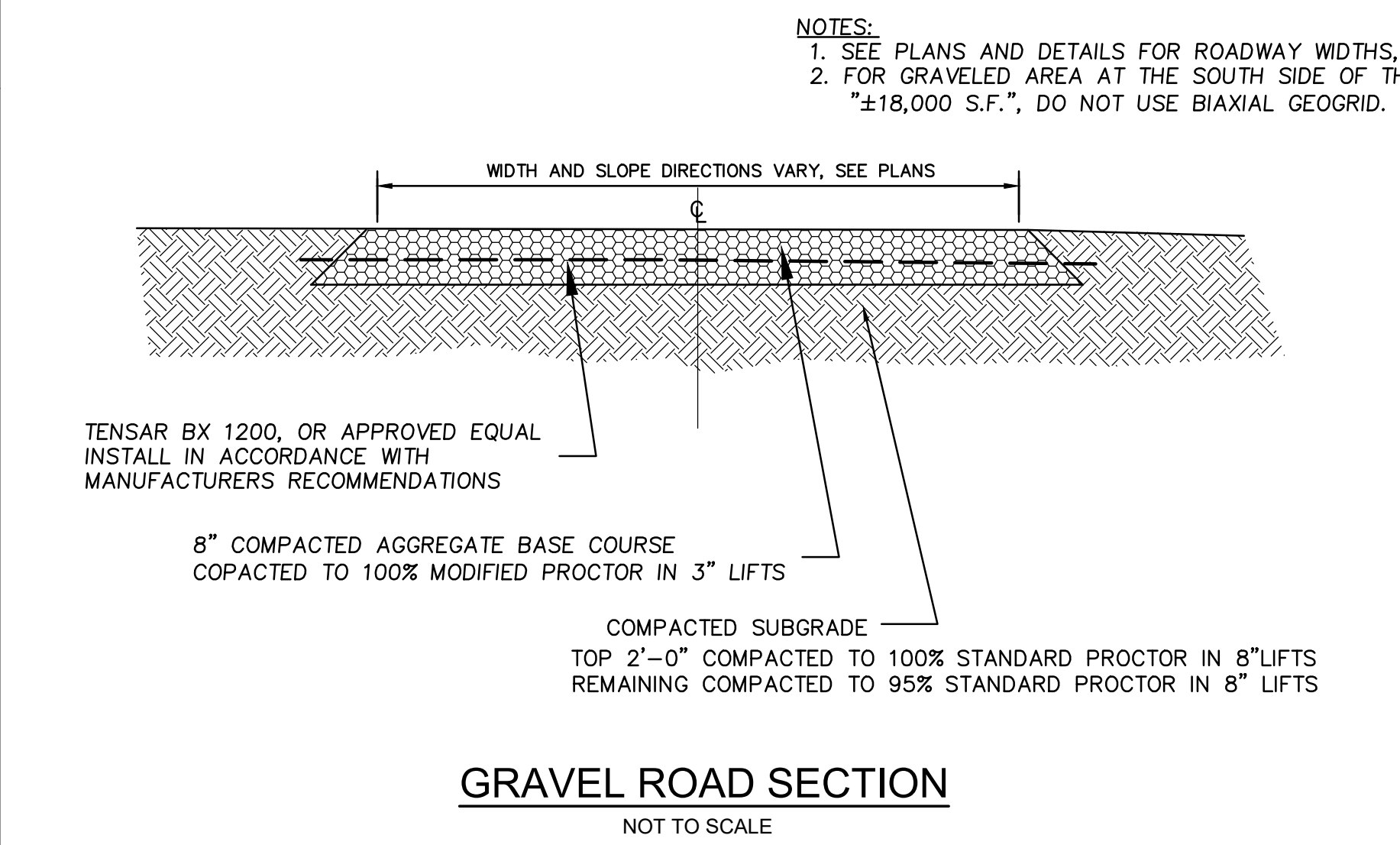
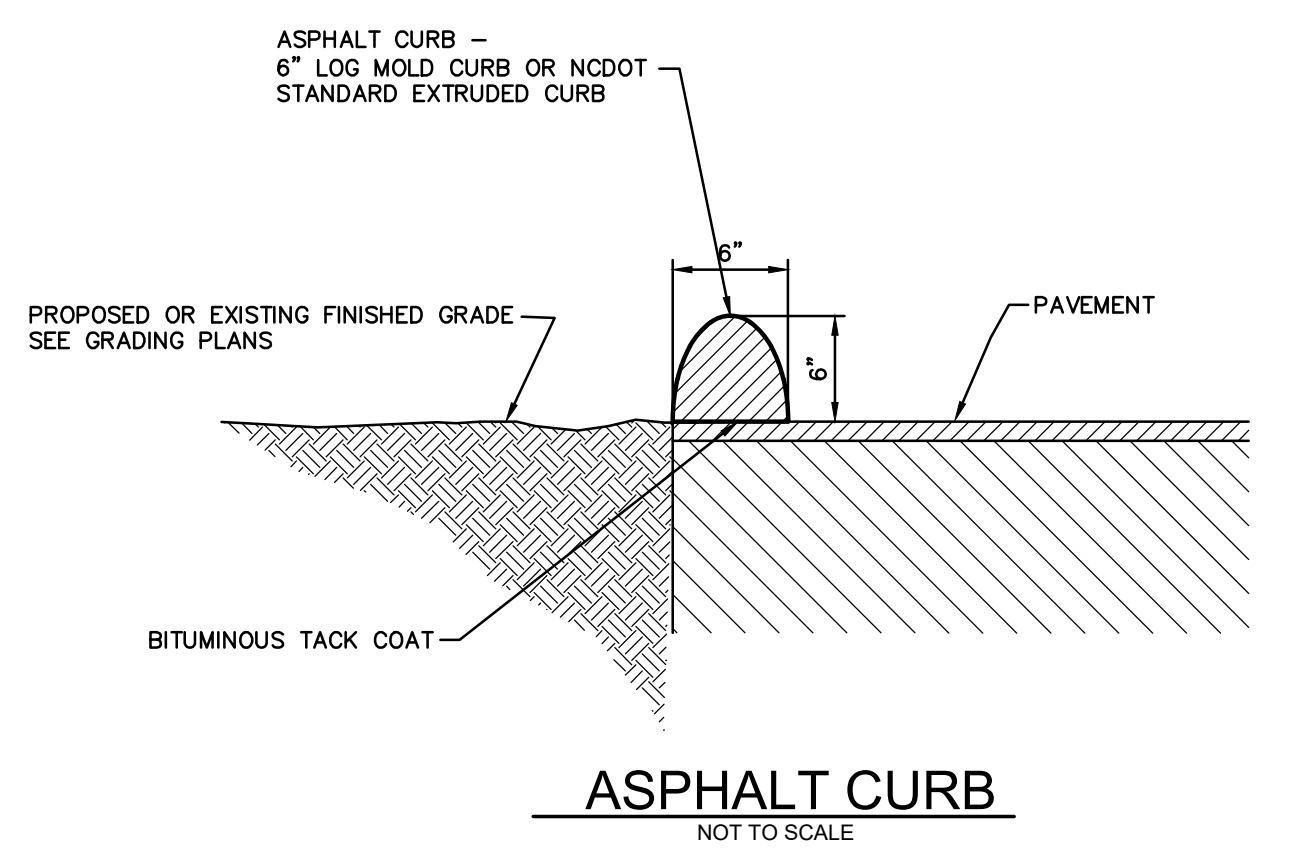
LIBROADUSTREETDRAWINGS/2014/14.00708 - FFLP ACMEDESIGNSOLID WASTEDRAWINGS/CONSTRUCTION/DWG/14.00708-CD-DETAILS/DWG PLOT DATE: 12/23/2019 2:16 PM DAVE PASKO



- NOTES:**
- GROUND AND BOTTOM ELEVATIONS AND INVERT IN ELEVATION OF THE PUMP STATION SHALL BE DETERMINED IN FIELD BY THE FINAL LOCATION AND ELEVATION OF THE PROPOSED SEPTIC TANK.
  - FLOAT ELEVATIONS SHOWN ASSUME A 4' TANK DIAMETER. FLOAT ELEVATIONS SHALL BE ADJUSTED ACCORDINGLY FOR FINAL TANK DIAMETER TO MEET THE PUMP REQUIREMENTS.
  - CONTRACTOR SHALL BE PERMITTED TO SUBMIT A PROPOSAL FOR A PRECAST MANHOLE PUMP STATION WITH PUMPS AND CONTROL PANELS, PROVIDED PUMPS, CONTROLS AND FLOW CAPACITY MEET THE SPECIFICATIONS.

**PACKAGE SEWER PUMP STATION**

UPDATED FOR THIS PROJECT  
NOT TO SCALE



**mcgill**  
55 Broad Street  
Asheville, NC 28801  
828.252.0575  
NC Firm License # C-0459  
mcgillassociates.com

SEAL  
024993  
MARK D. CATHY  
REGISTERED PROFESSIONAL ENGINEER  
NO. 14000

NO.	DATE	BY	DESCRIPTION

FRANCIS FARM LANDFILL  
RESTRICTIVE COVER IMPLEMENTATION  
**HAYWOOD COUNTY**  
HAYWOOD COUNTY, NORTH CAROLINA

40	0	20	40	80
GRAPHIC SCALE DIVISION VALUE = 40 FEET				
OFFICE MANAGER	DESIGNER			
MDC	DAP			
PROJECT MANAGER	REVIEWER			
JRB	JRB			

MISCELLANEOUS DETAILS			
DATE	PROJECT #	FUNDING #	
DECEMBER 2019	14.00708	N/A	

SHEET  
**C-508**