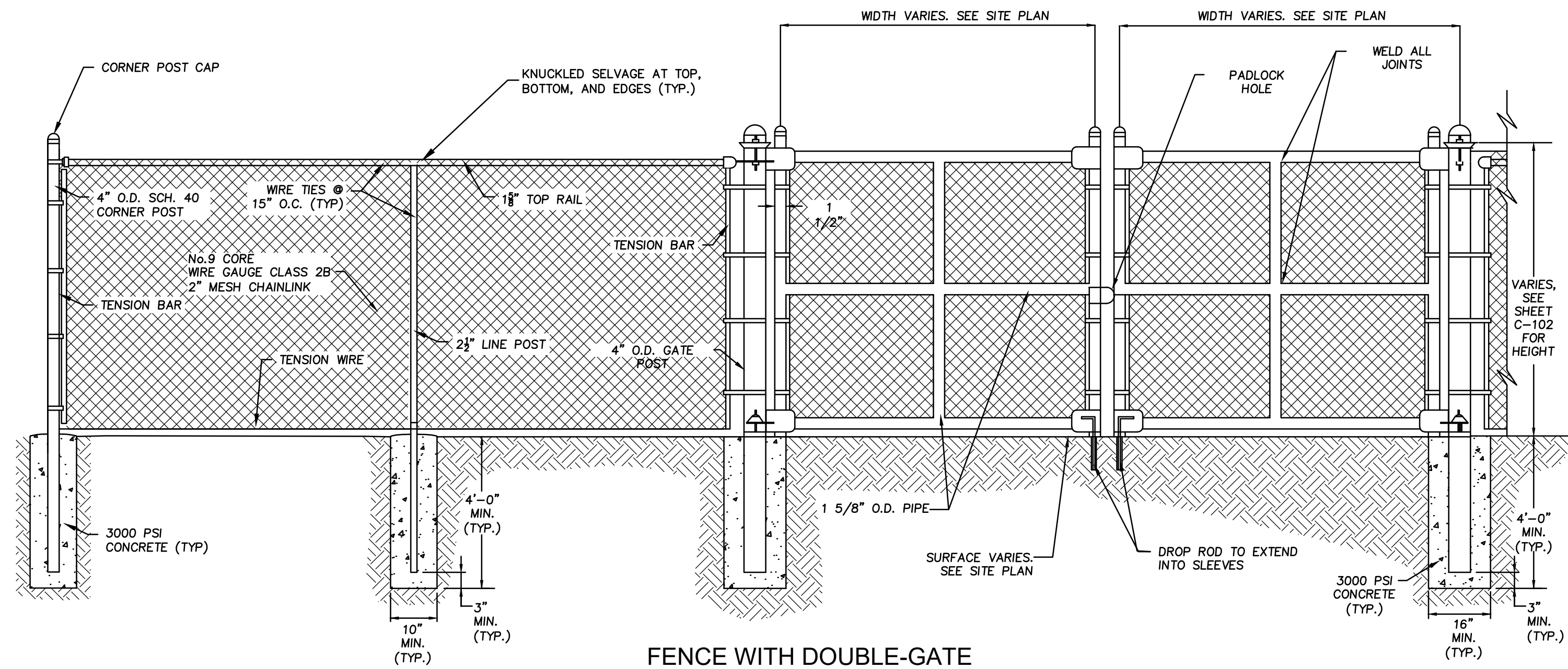
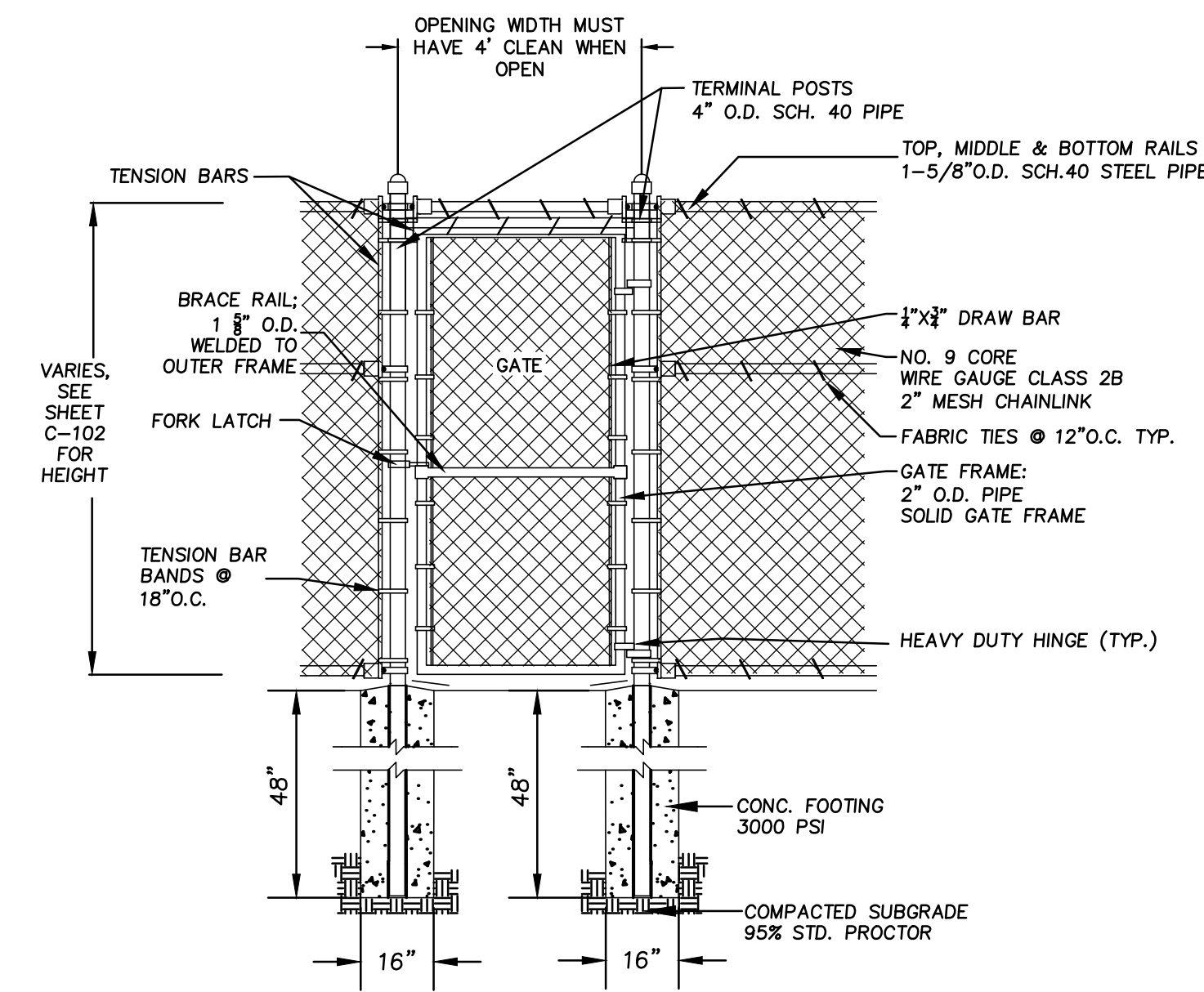


- NOTES:
1. POSTS, RAILS, MESH, AND FITTINGS SHALL BE GREEN VINYL COATED CLASS 2B THERMALLY FUSED AND BONDED
 2. GATE SHALL BE COMPLETE WITH BALL AND SOCKET HINGES OR APPROVED EQUAL
 3. ALL GATES SHALL BE DOUBLE ACTING
 4. SEE SPECIFICATIONS FOR FURTHER MATERIAL AND INSTALLATION REQUIREMENTS

- NOTES:
1. POSTS, RAILS, MESH, AND FITTINGS SHALL BE GREEN VINYL COATED CLASS 2B THERMALLY FUSED AND BONDED
 2. GATE SHALL BE COMPLETE WITH BALL AND SOCKET HINGES OR APPROVED EQUAL
 3. ALL GATES SHALL BE DOUBLE ACTING
 4. SEE SPECIFICATIONS FOR FURTHER MATERIAL AND INSTALLATION REQUIREMENTS



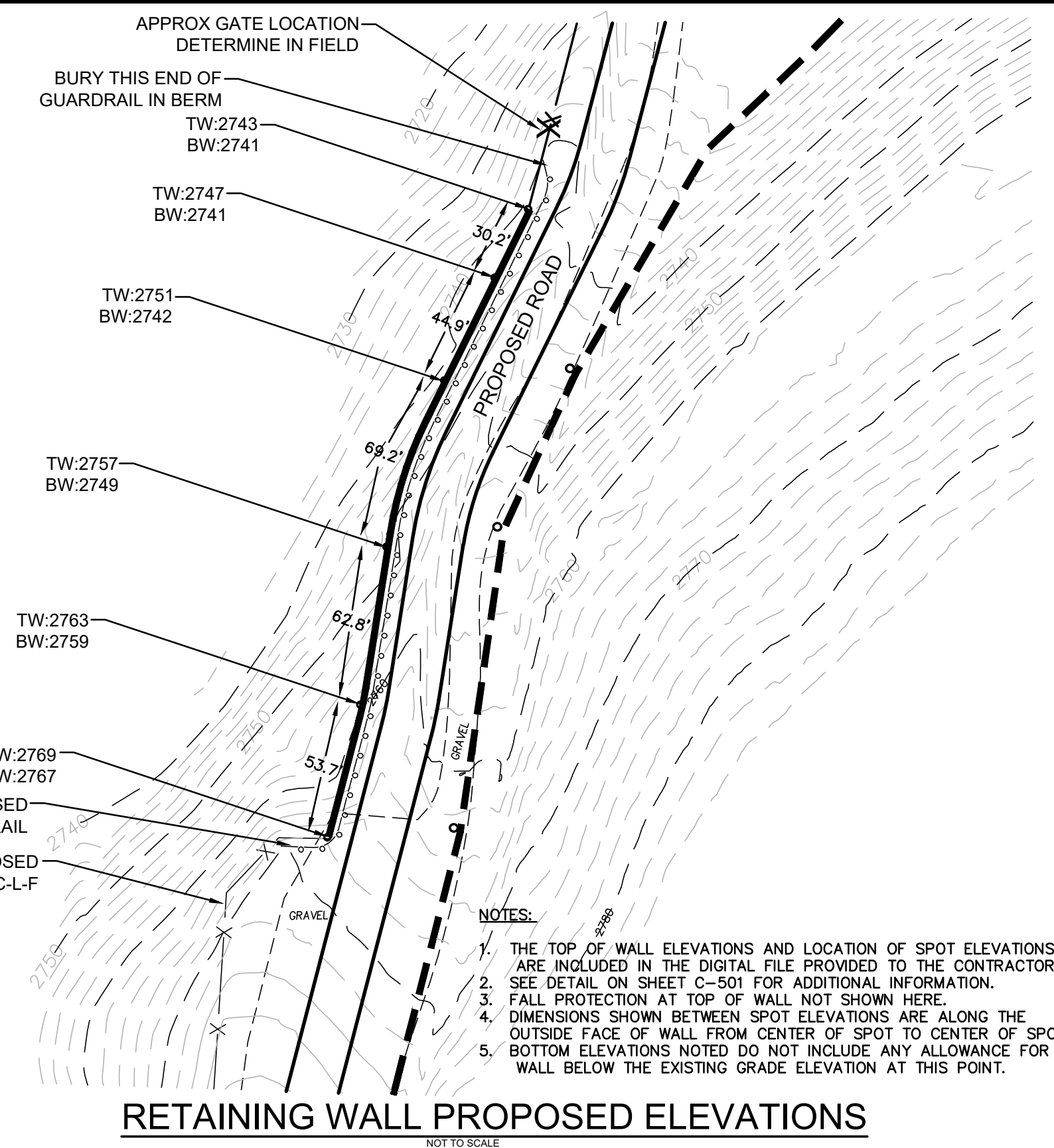
FENCE WITH DOUBLE-GATE



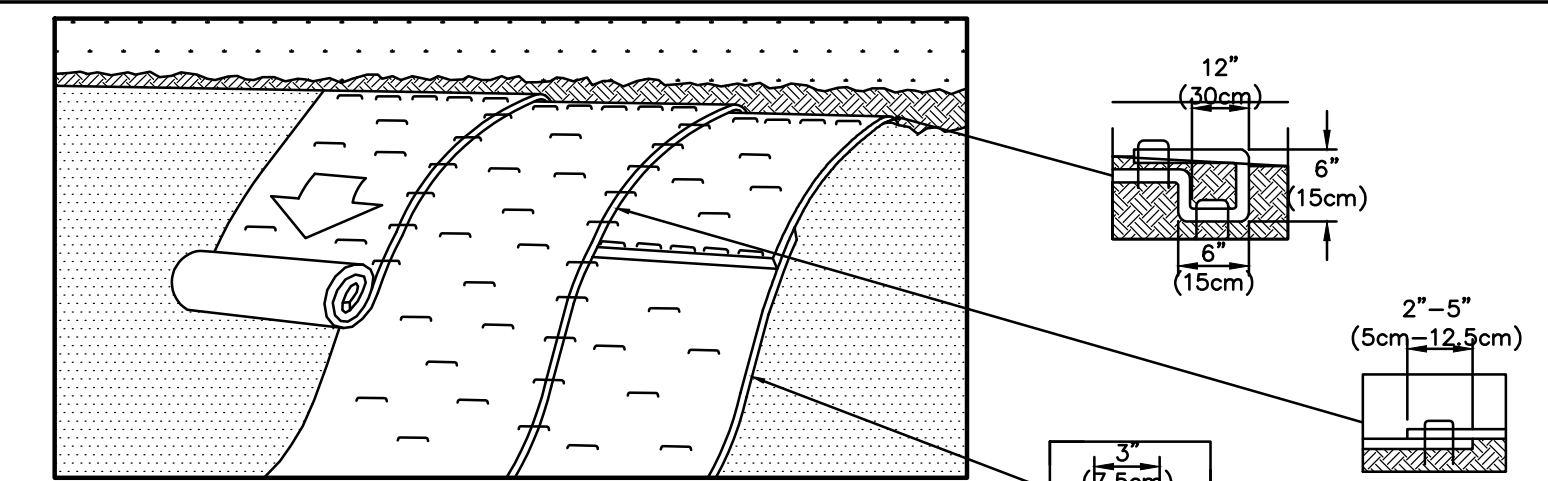
SINGLE CHAIN LINK GATE

CHAIN LINK FENCE

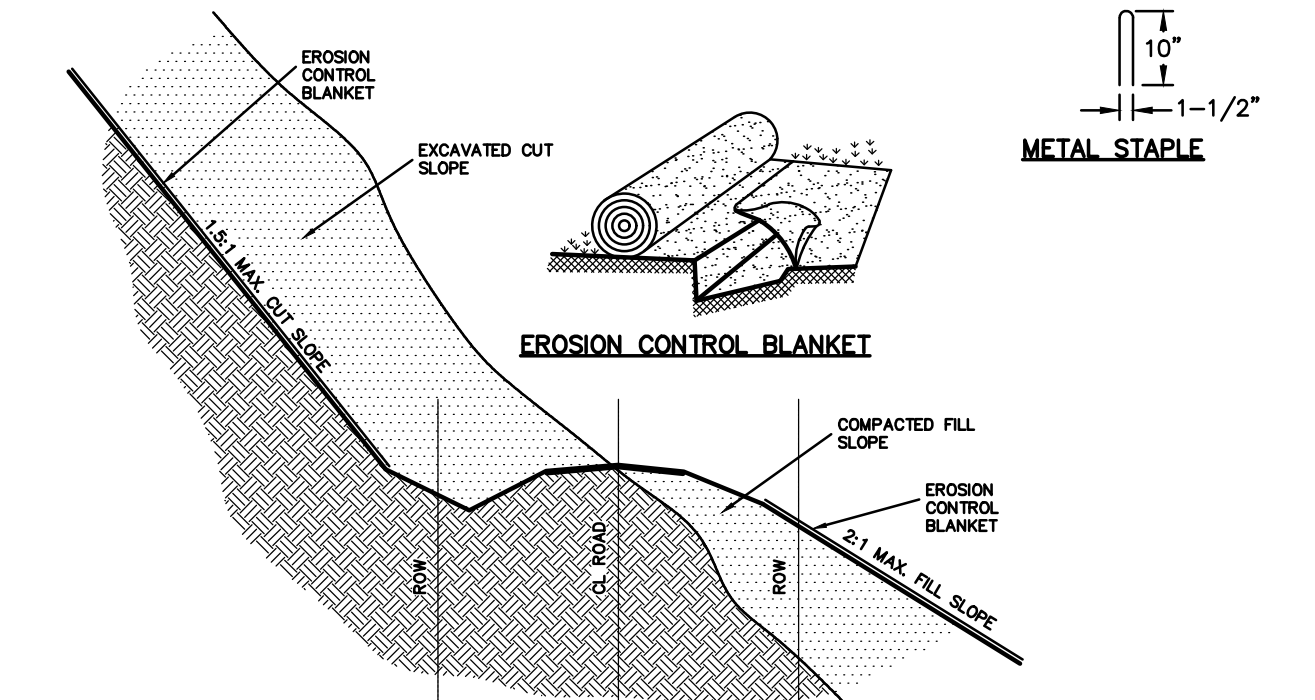
NOT TO SCALE



RETAINING WALL PROPOSED ELEVATIONS

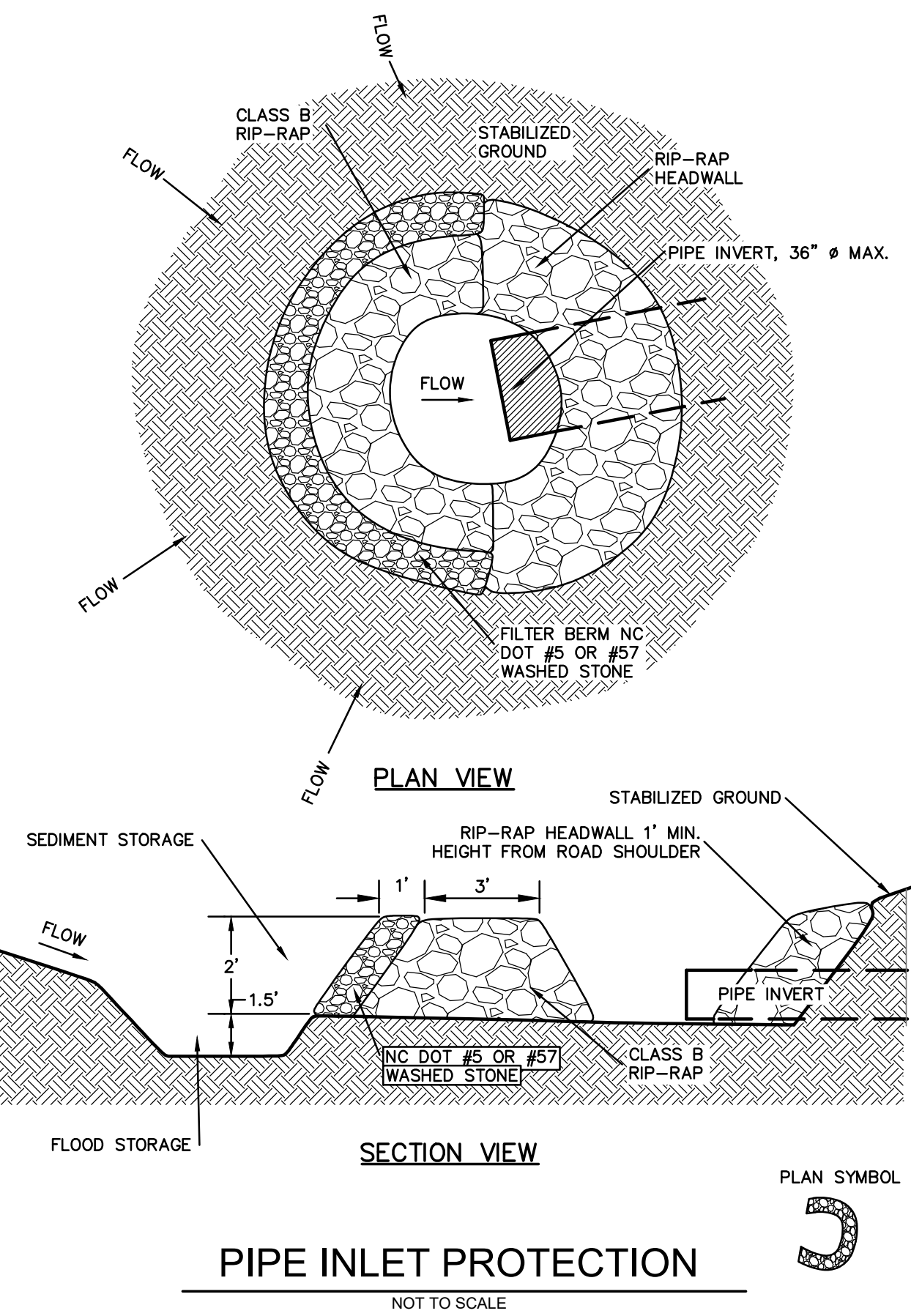


- NOTES:
1. PREPARE SOIL BEFORE INSTALLING ROLLED EROSION CONTROL PRODUCTS (RECPS), INCLUDING ANY NECESSARY APPLICATION OF LIME, FERTILIZER, AND SEED.
 2. BEGIN AT THE TOP OF THE SLOPE BY ANCHORING THE RECPS IN A 6\"/>



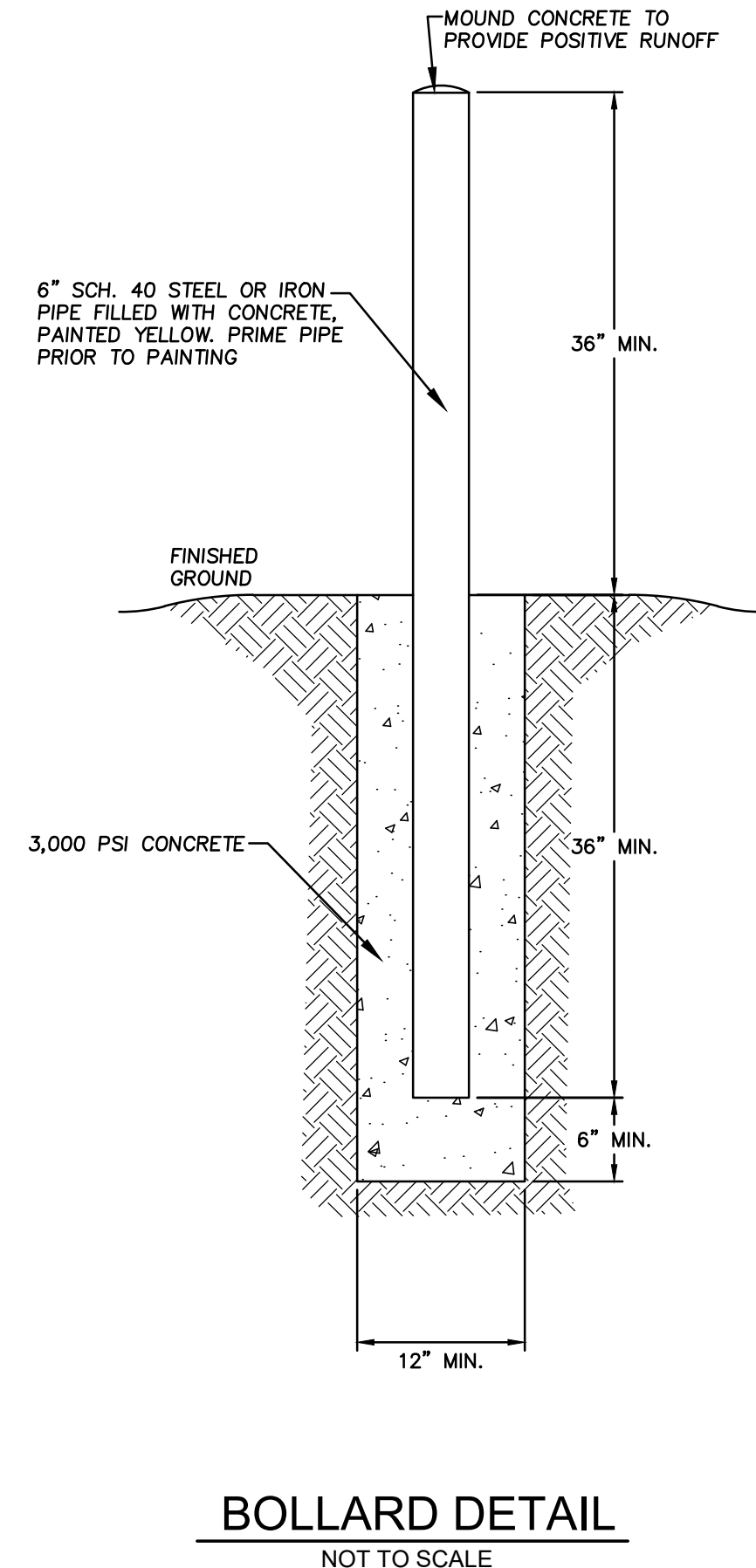
SLOPE MATTING INSTALLATION

BID DOCUMENTS



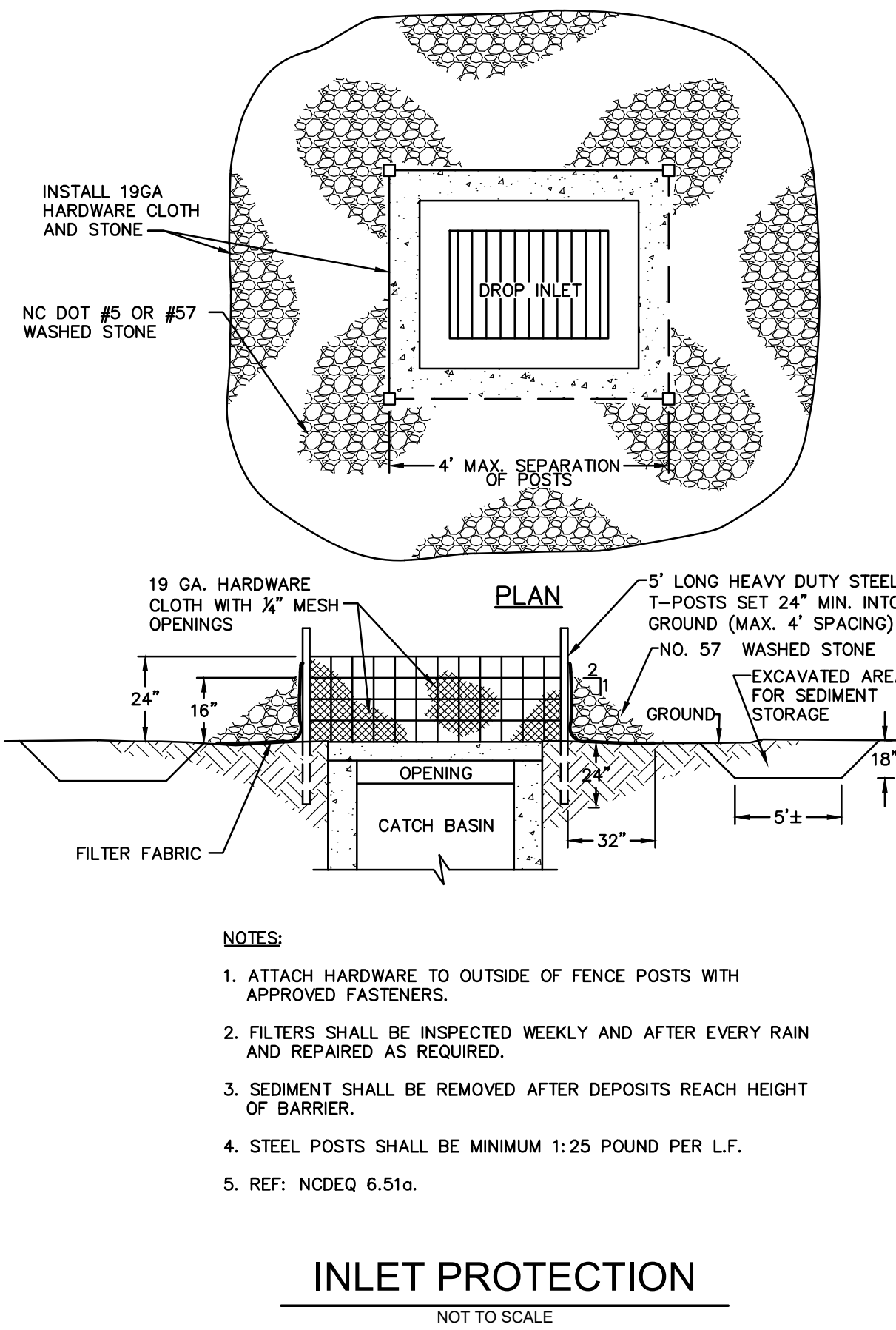
PIPE INLET PROTECTION

NOT TO SCALE



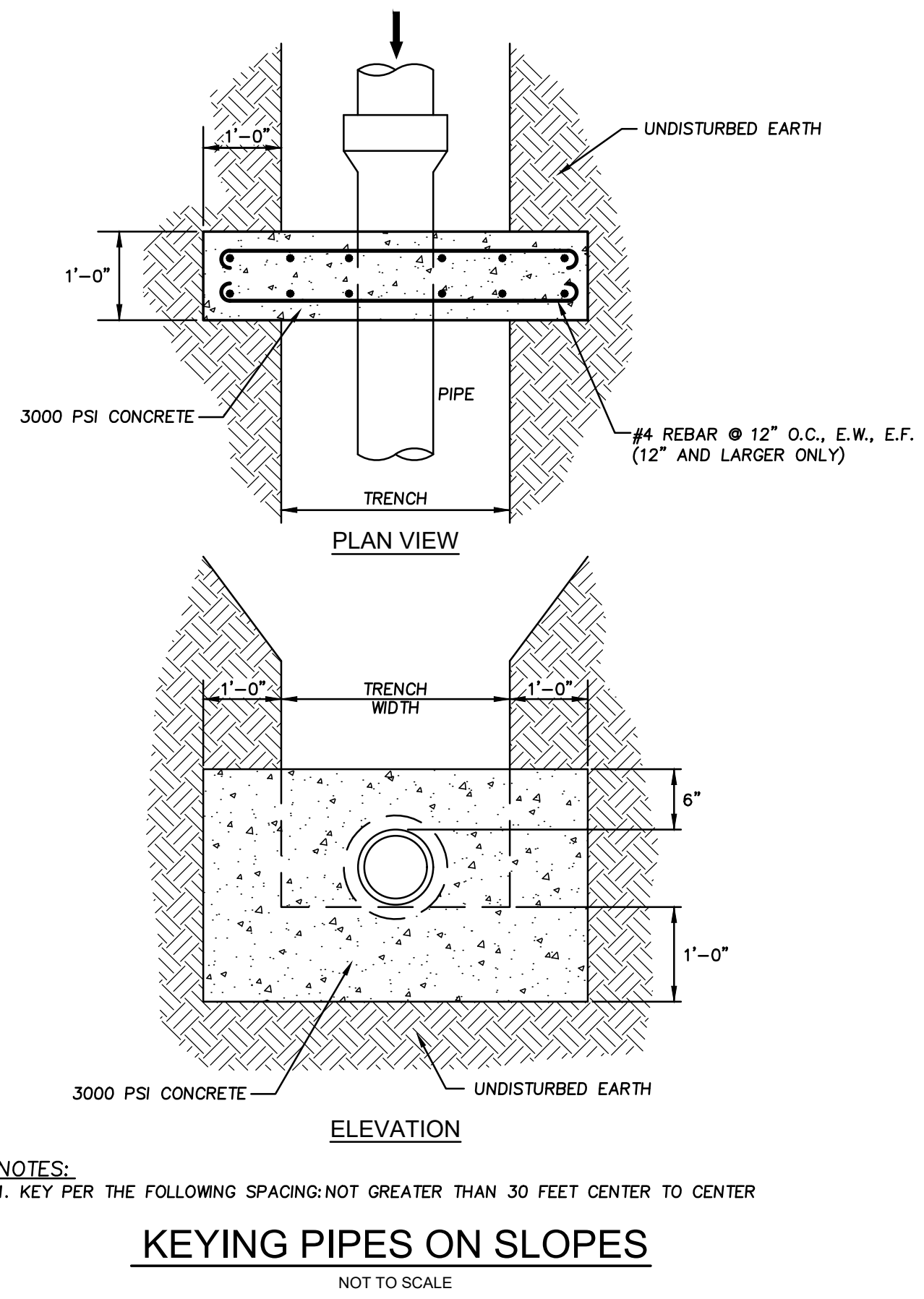
BOLLARD DETAIL

NOT TO SCALE



INLET PROTECTION

NOT TO SCALE



KEYING PIPES ON SLOPES

NOT TO SCALE

55 Broad Street
Asheville, NC 28801
828.252.0575
NC Firm License # C-0459
mcgillassociates.com

MARK D. CATHY
ENGINEER
024993

NO.	DATE	BY	DESCRIPTION

FRANCIS FARM LANDFILL
RESTRICTIVE COVER IMPLEMENTATION
HAYWOOD COUNTY
HAYWOOD COUNTY, NORTH CAROLINA

OFFICE MANAGER MDC	DESIGNER DAP
PROJECT MANAGER JRB	REVIEWER JRB

DATE DECEMBER 2019	PROJECT # 14.00708	FUNDING # N/A
-----------------------	-----------------------	------------------

SHEET
C-507